

POS/ KDS/ KDP/ IPB/ PC

- 10.1"
- 15"
- 15.6"
- 17"
- 18.5"
- 21.5"

- 10.1"
- 15"
- 15.6"
- 17"
- 21.5"
- 32"

- 7"
- 10.1"
- 15.6"
- 17"
- 18.5"
- 21.5"

Mini-ITX Motherboard

- J6412
- 11th i3
- 11th i5
- 11th i7

Type 3.5" Motherboard

- J3455
- J6412

Screen Size

- 7"
- 10.1"

Type 3.5" Motherboard

- J6412
- RK3288

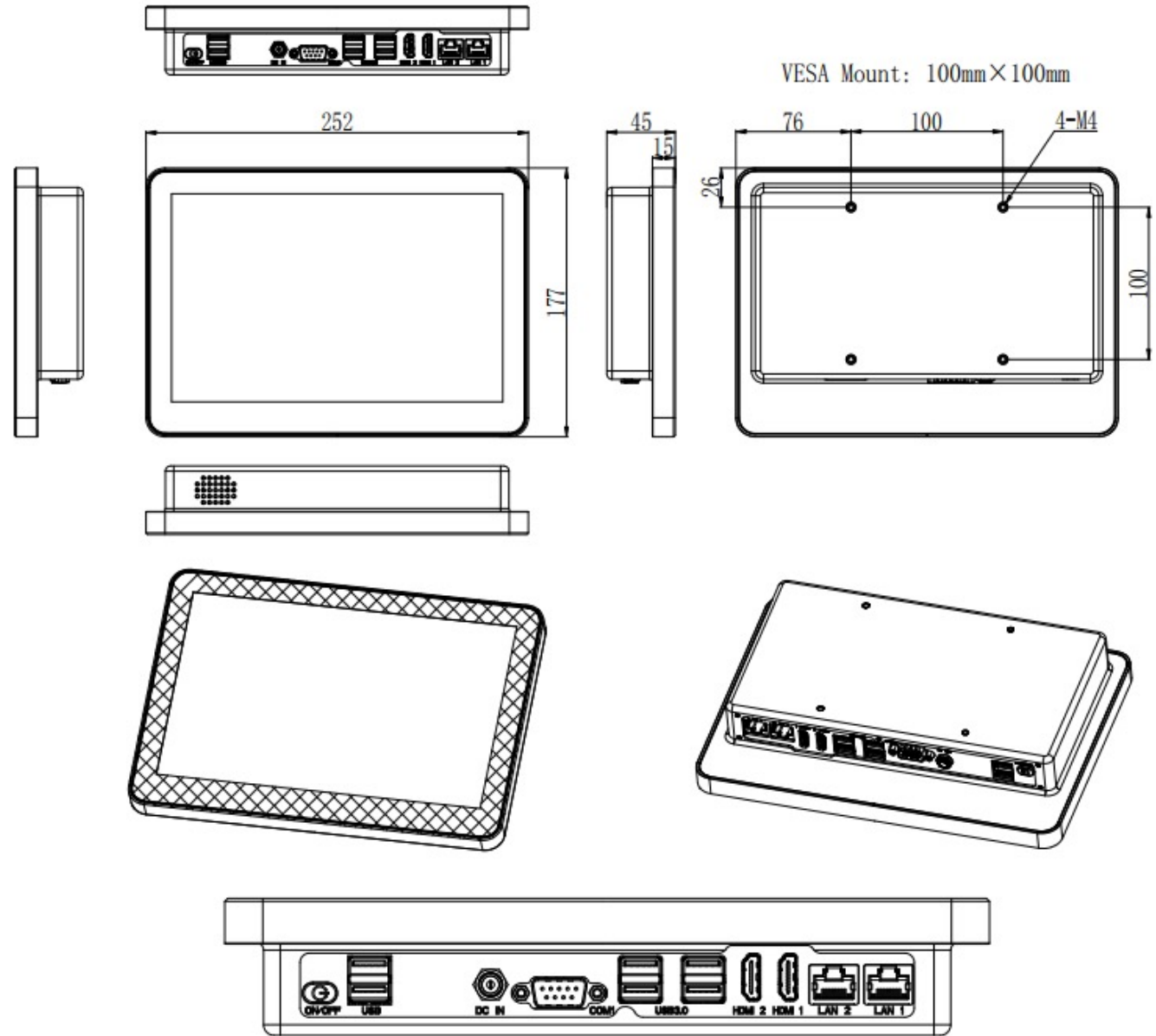
Product Dimensions

POS-101A

Screen Size: 10.1"
Resolution: 1280 x 800
Ratio: 16:10

Type 3.5" Motherboard

- J6412
- 11th i3
- 11th i5
- 11th i7

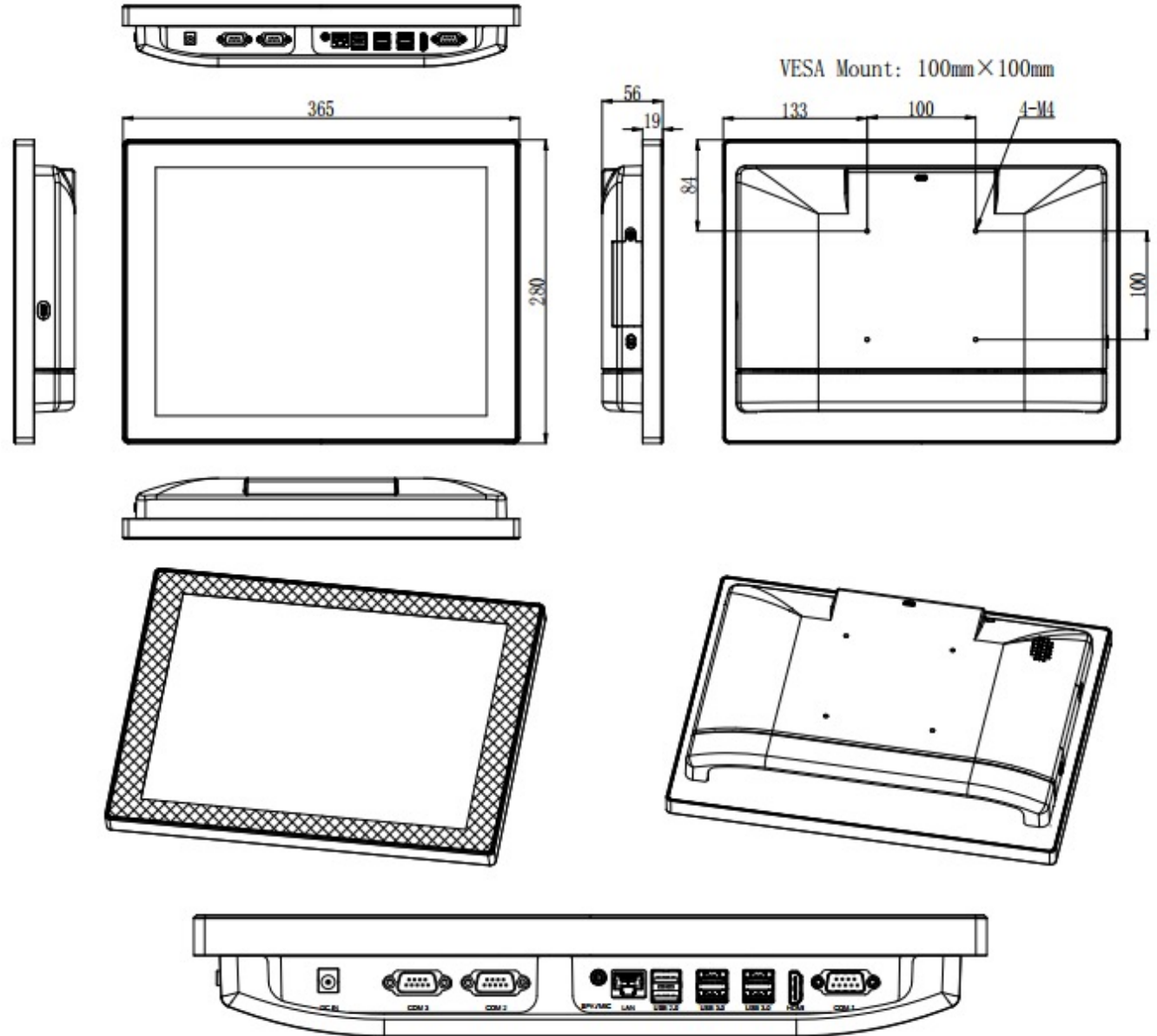


POS-151D

Screen Size: 15"
Resolution: 1024 x 768
Ratio: 4:3

Mini-ITX Motherboard

- J6412
- 11th i3
- 11th i5
- 11th i7

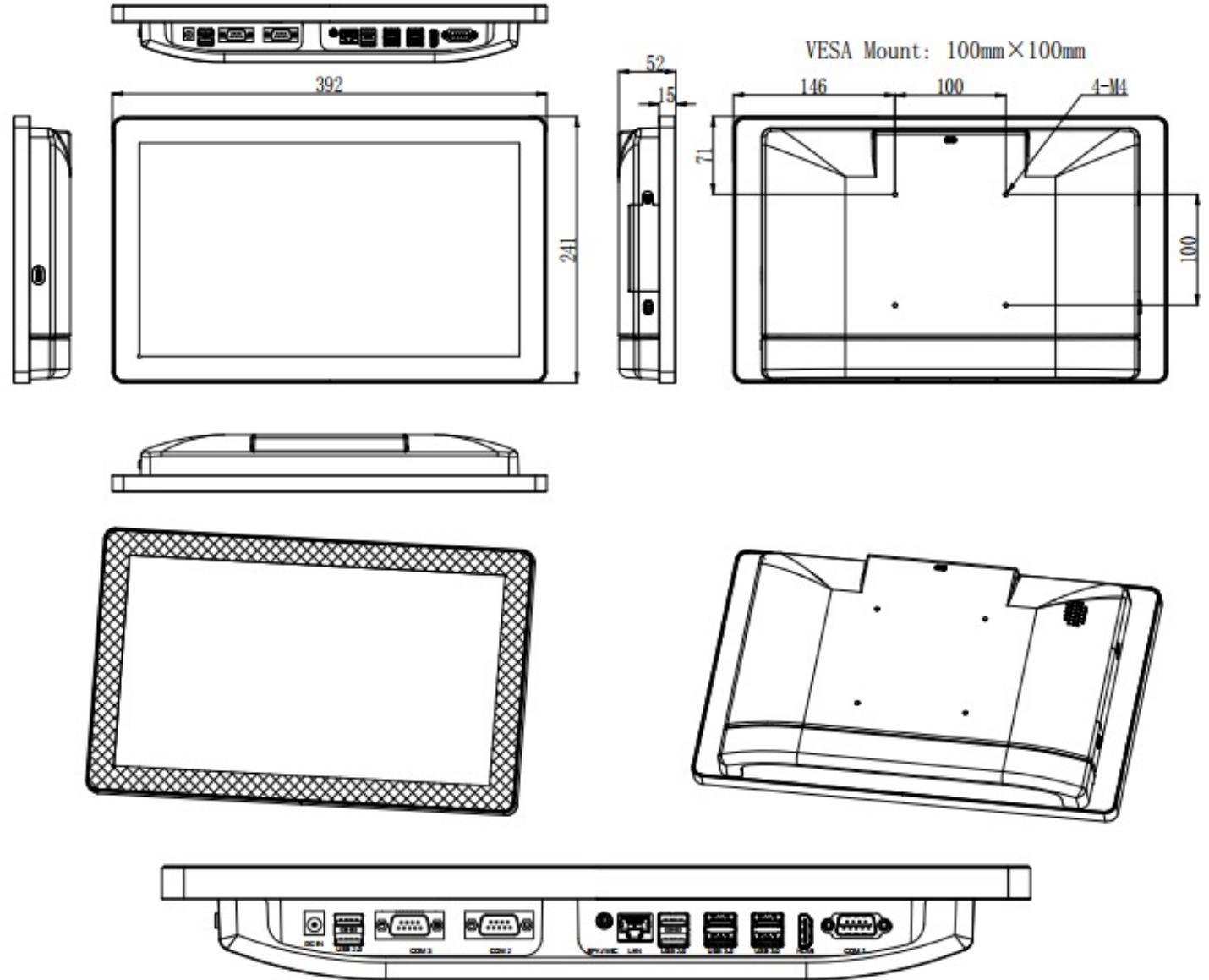


POS-156A

Screen Size: 15.6"
Resolution: 1366 x 768
Ratio: 16:9

Mini-ITX Motherboard

- J6412
- 11th i3
- 11th i5
- 11th i7

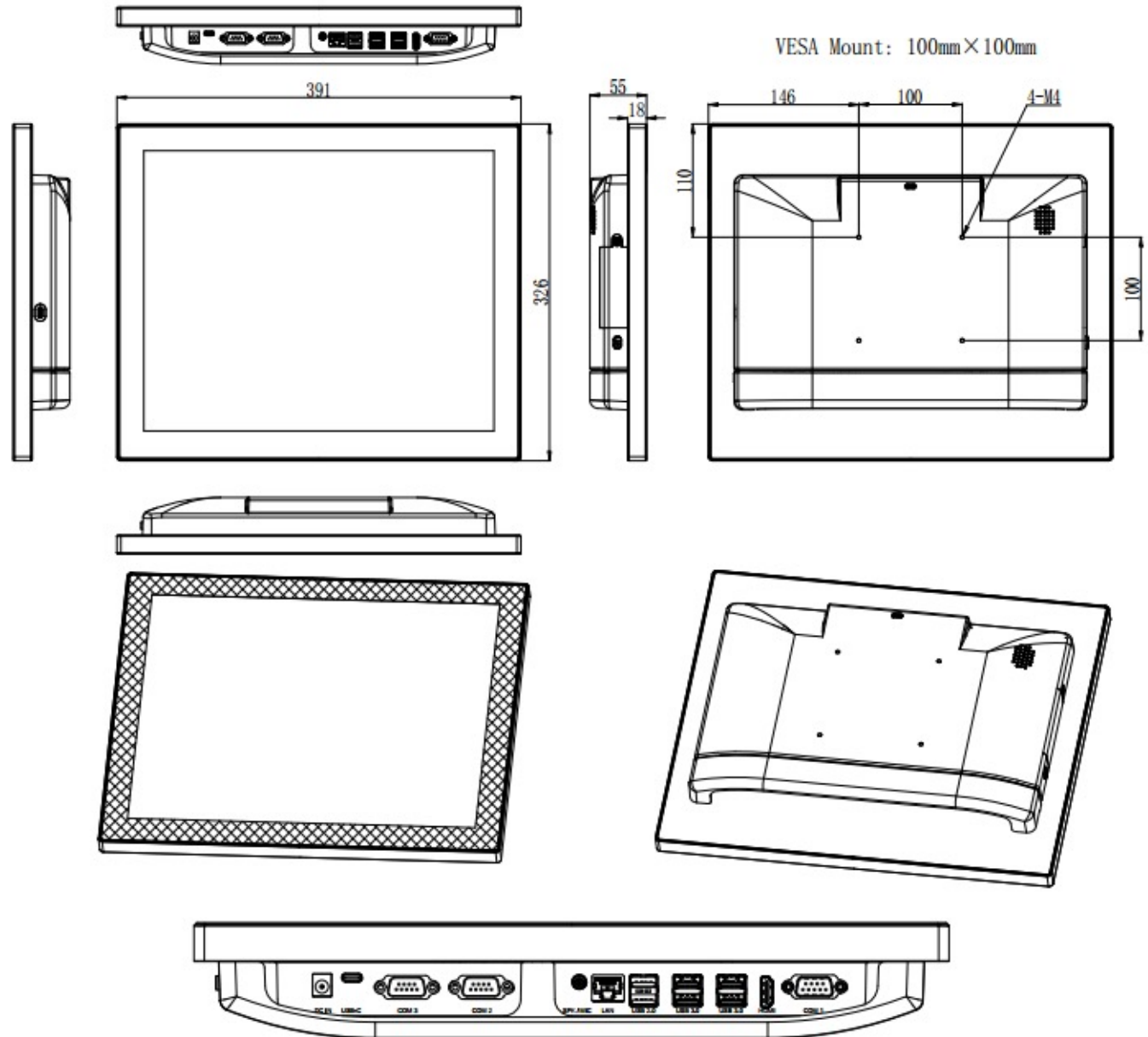


POS-171F

Screen Size: 17"
Resolution: 1280 x 1024
Ratio: 5:4

Mini-ITX Motherboard

- J6412
- 11th i3
- 11th i5
- 11th i7

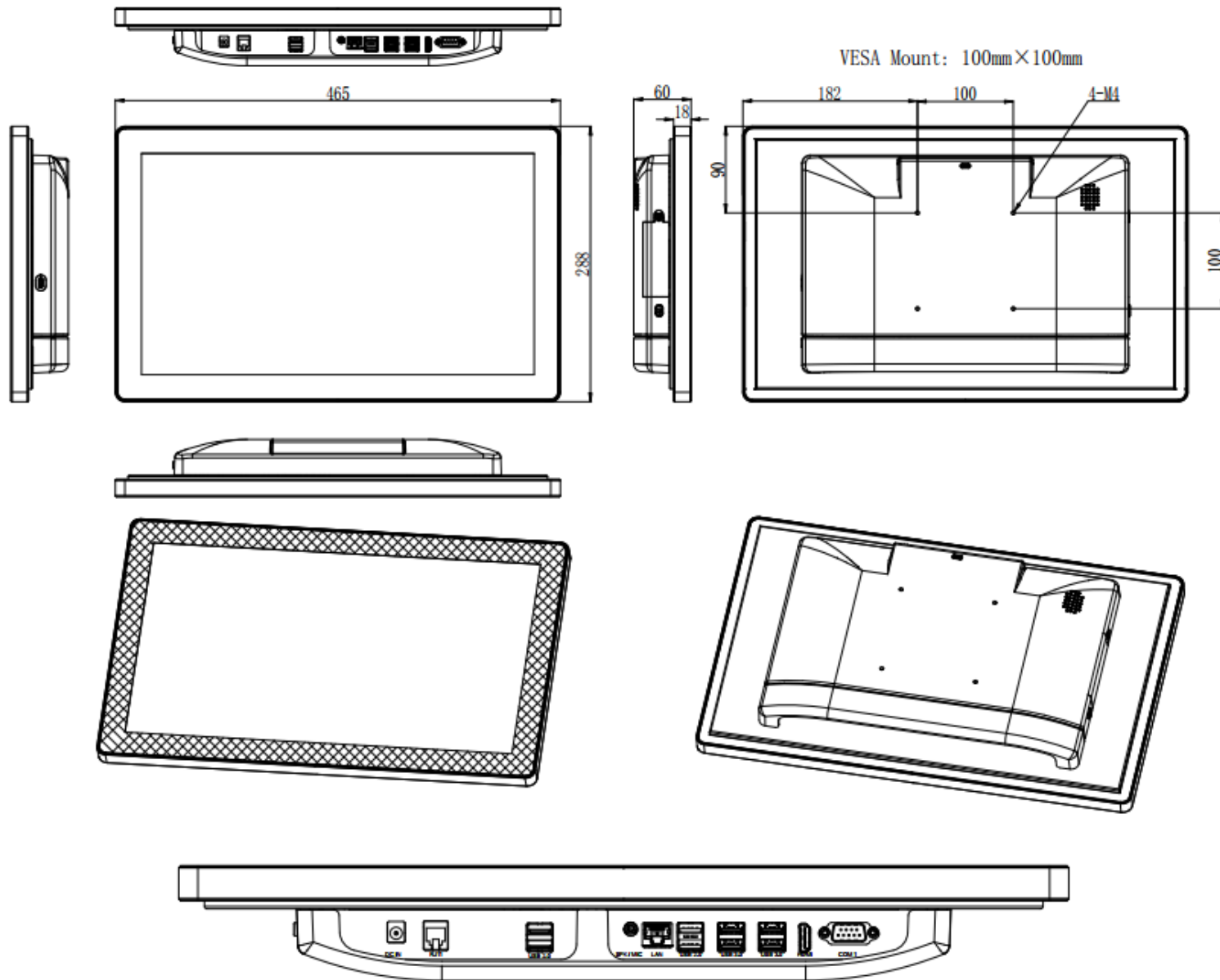


POS-185F

Screen Size: 18.5"
Resolution: 1920 x 1080
Ratio: 16:9

Mini-ITX Motherboard

- J6412
- 11th i3
- 11th i5
- 11th i7

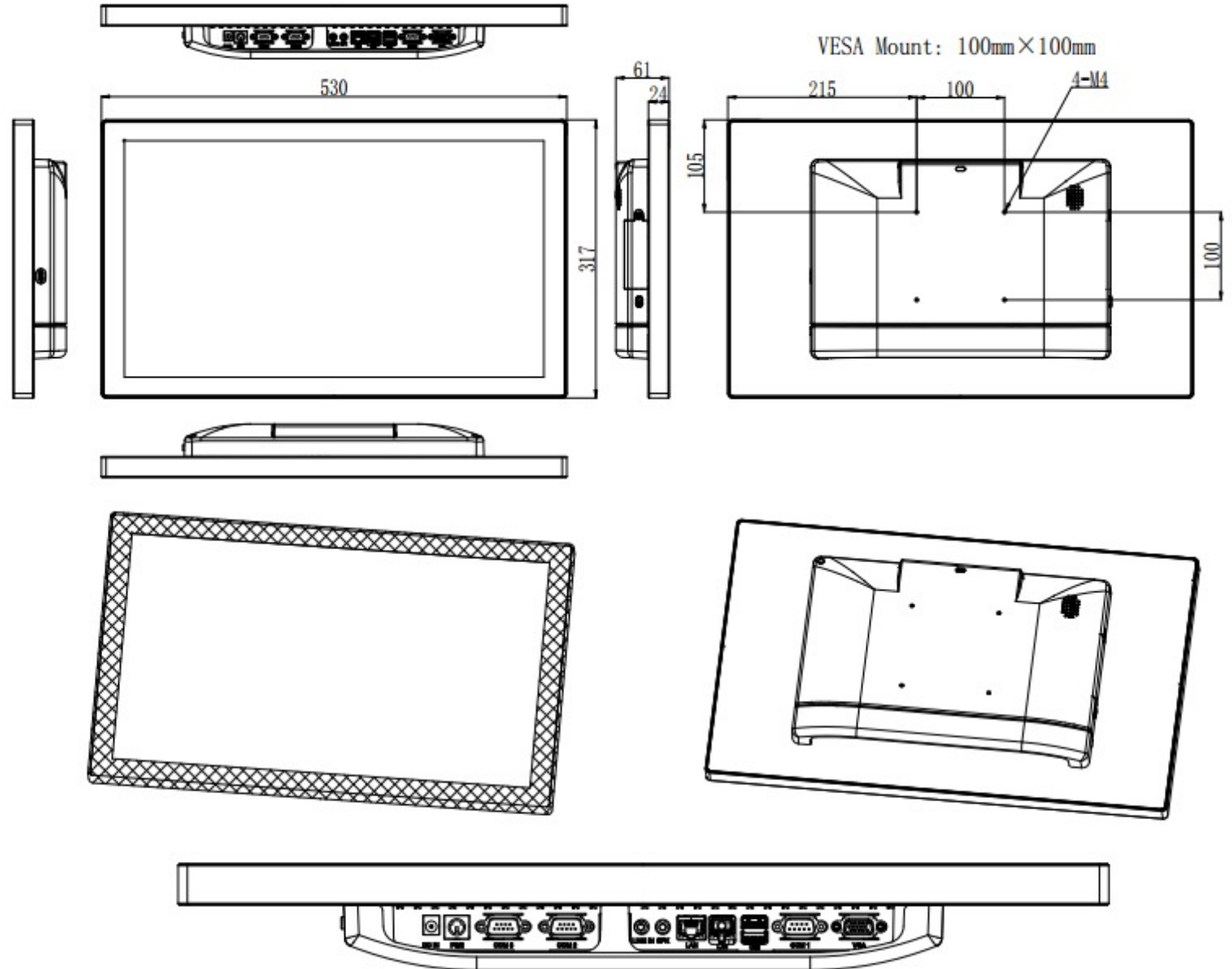


POS-215G

Screen Size: 21.5"
Resolution: 1920 x 1080
Ratio: 16:9

Mini-ITX Motherboard

- J6412
- 11th i3
- 11th i5
- 11th i7



KDS-101A2

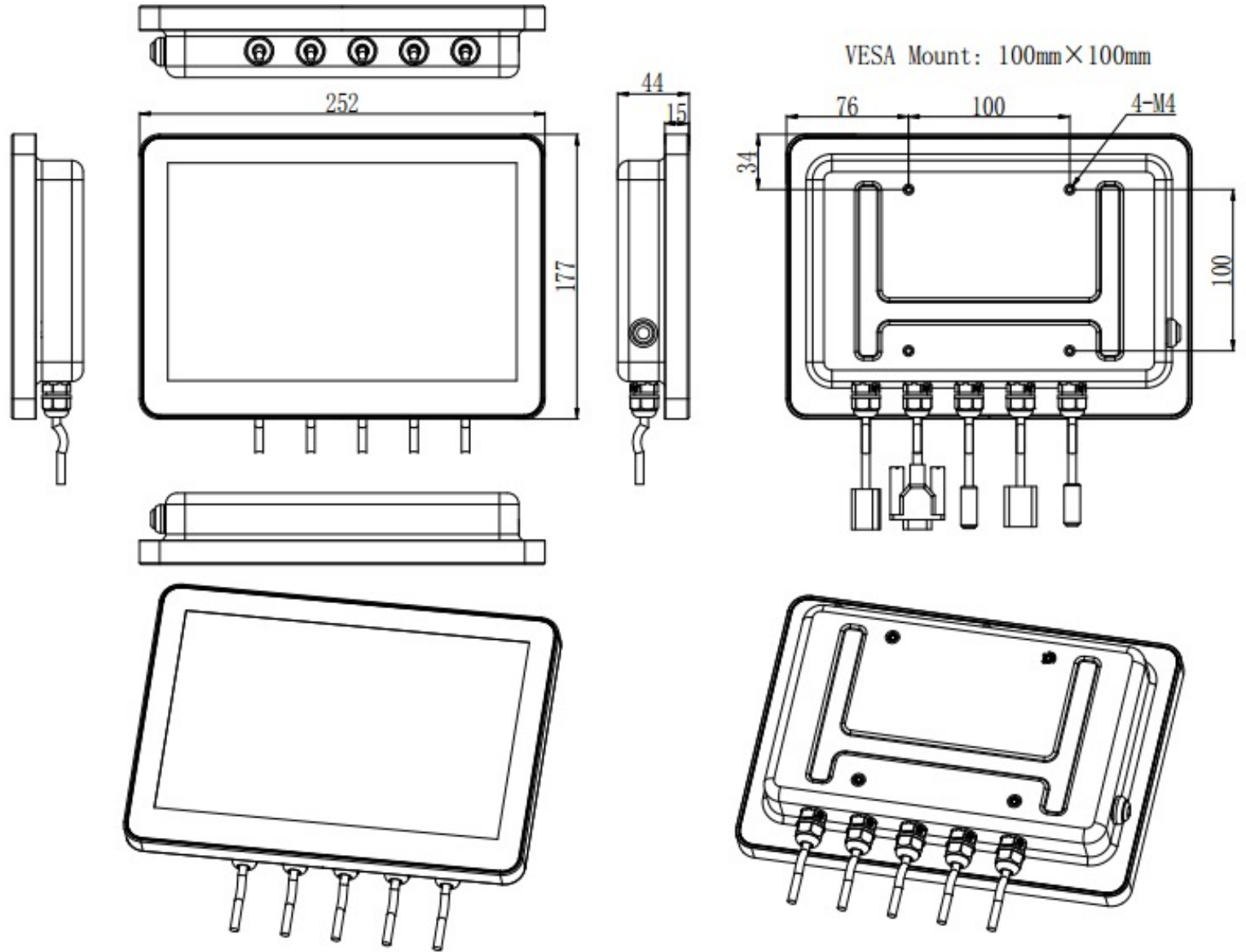
Screen Size: 10.1"

Resolution: 1280 x 800

Ratio: 16:10

Type 3.5" Motherboard

- J6412
- 11th i3
- 11th i5
- 11th i7



KDS-151D

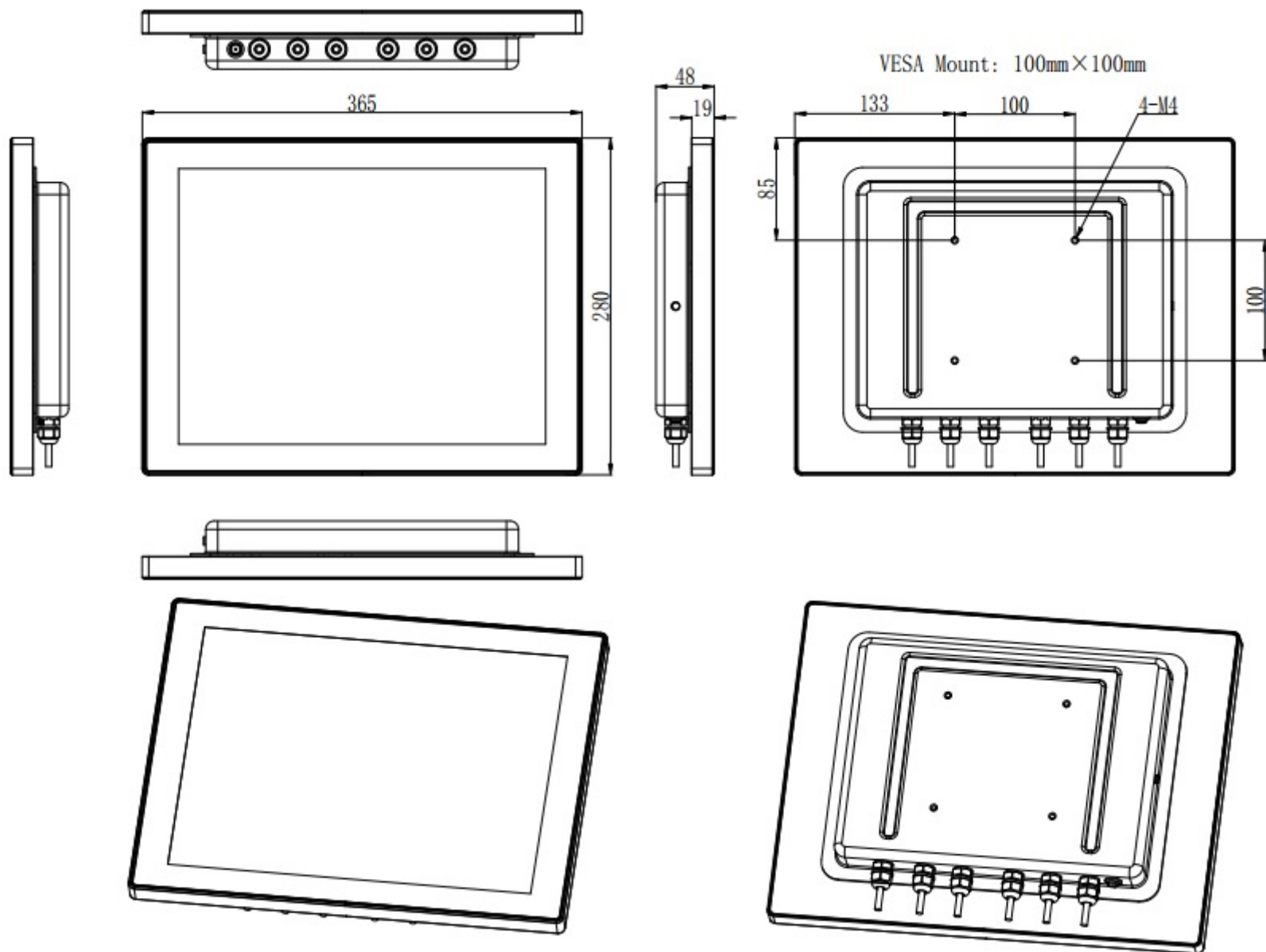
Screen Size: 15"

Resolution: 1024 x 768

Ratio: 4:3

Mini-ITX Motherboard

- J6412
- 11th i3
- 11th i5
- 11th i7



KDS-156A

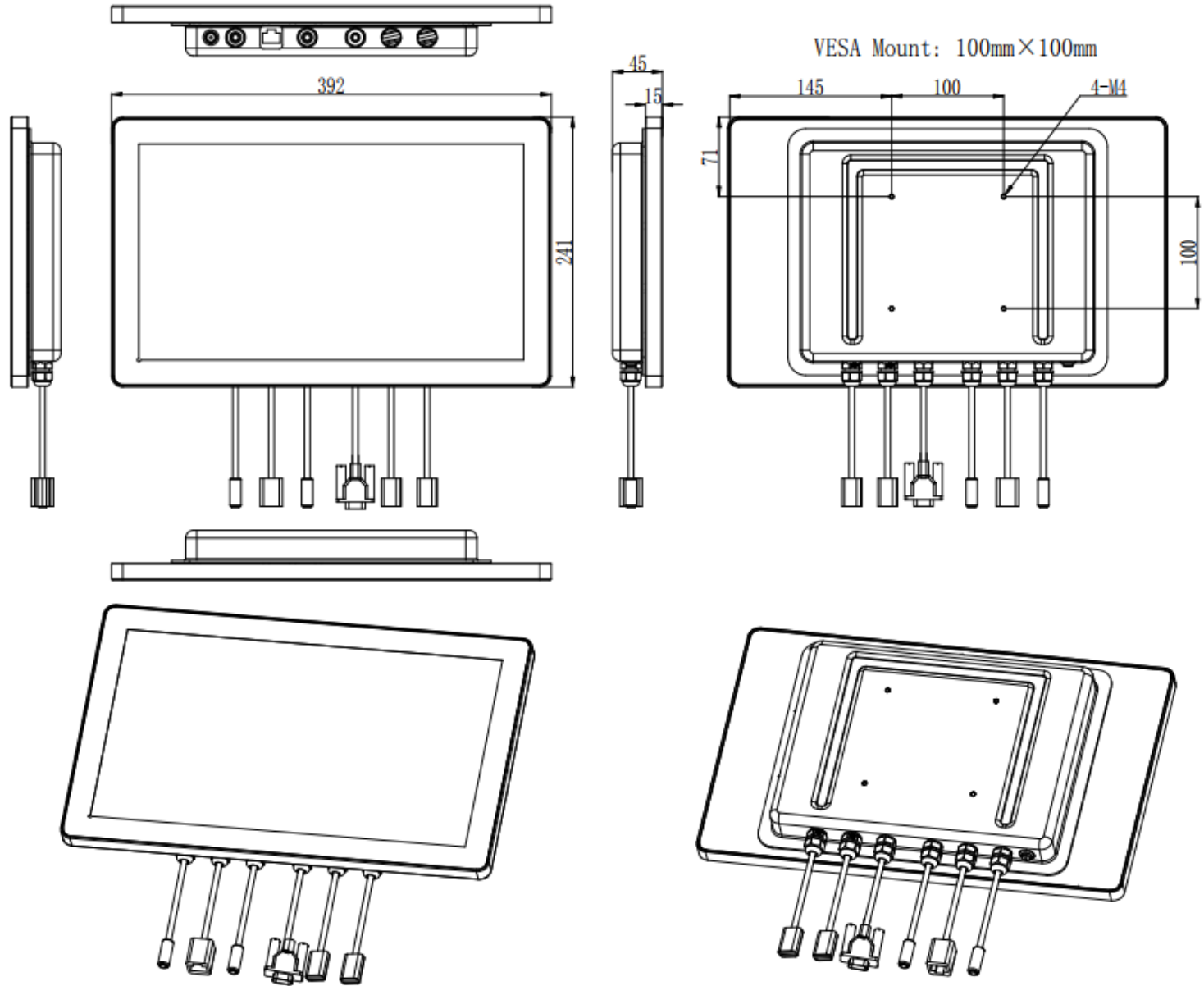
Screen Size: 15.6"

Resolution: 1366 x 768

Ratio: 16:9

Mini-ITX Motherboard

- J6412
- 11th i3
- 11th i5
- 11th i7

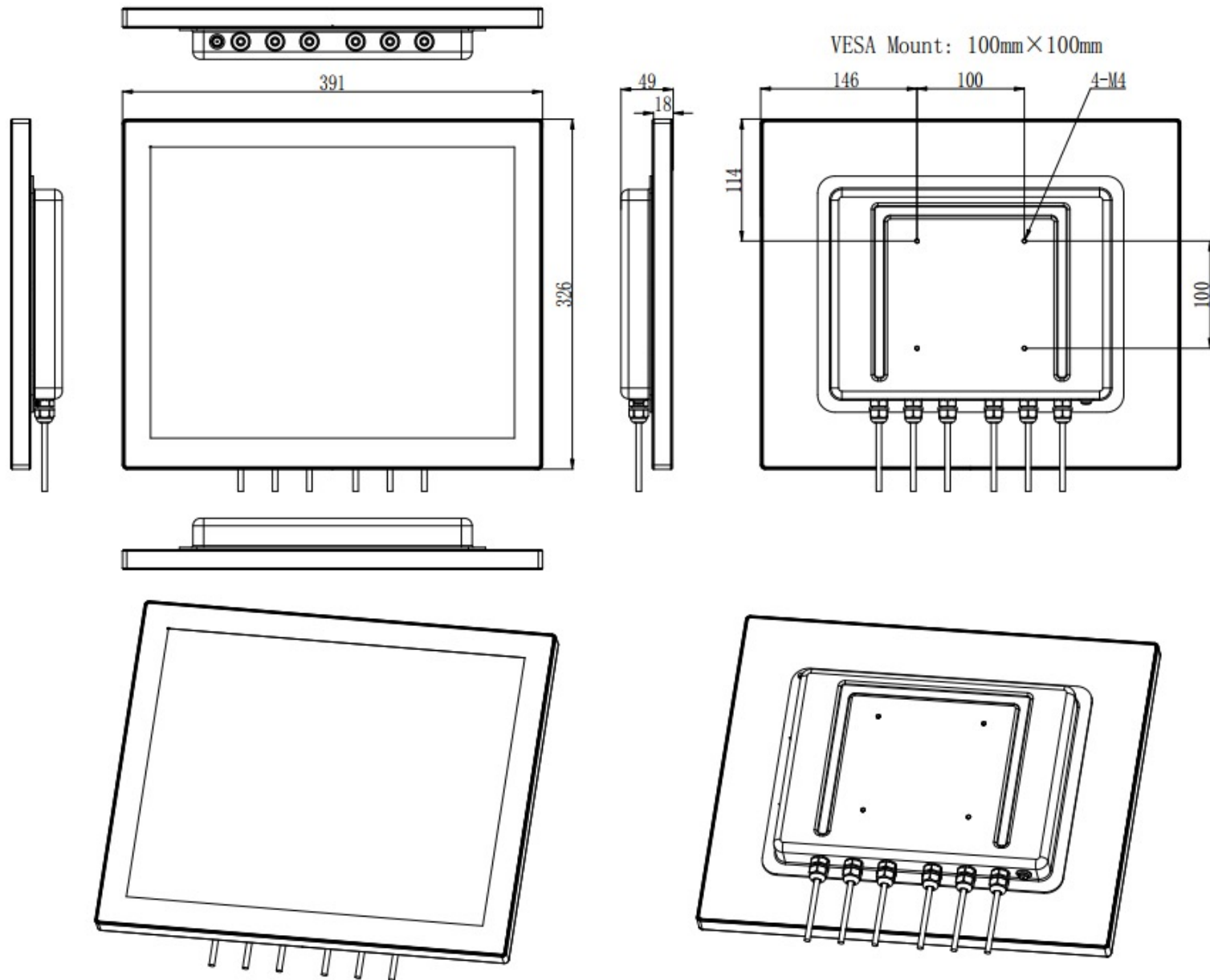


KDS-171F

Screen Size: 17"
Resolution: 1280 x 1024
Ratio: 5:4

Mini-ITX Motherboard

- J6412
- 11th i3
- 11th i5
- 11th i7

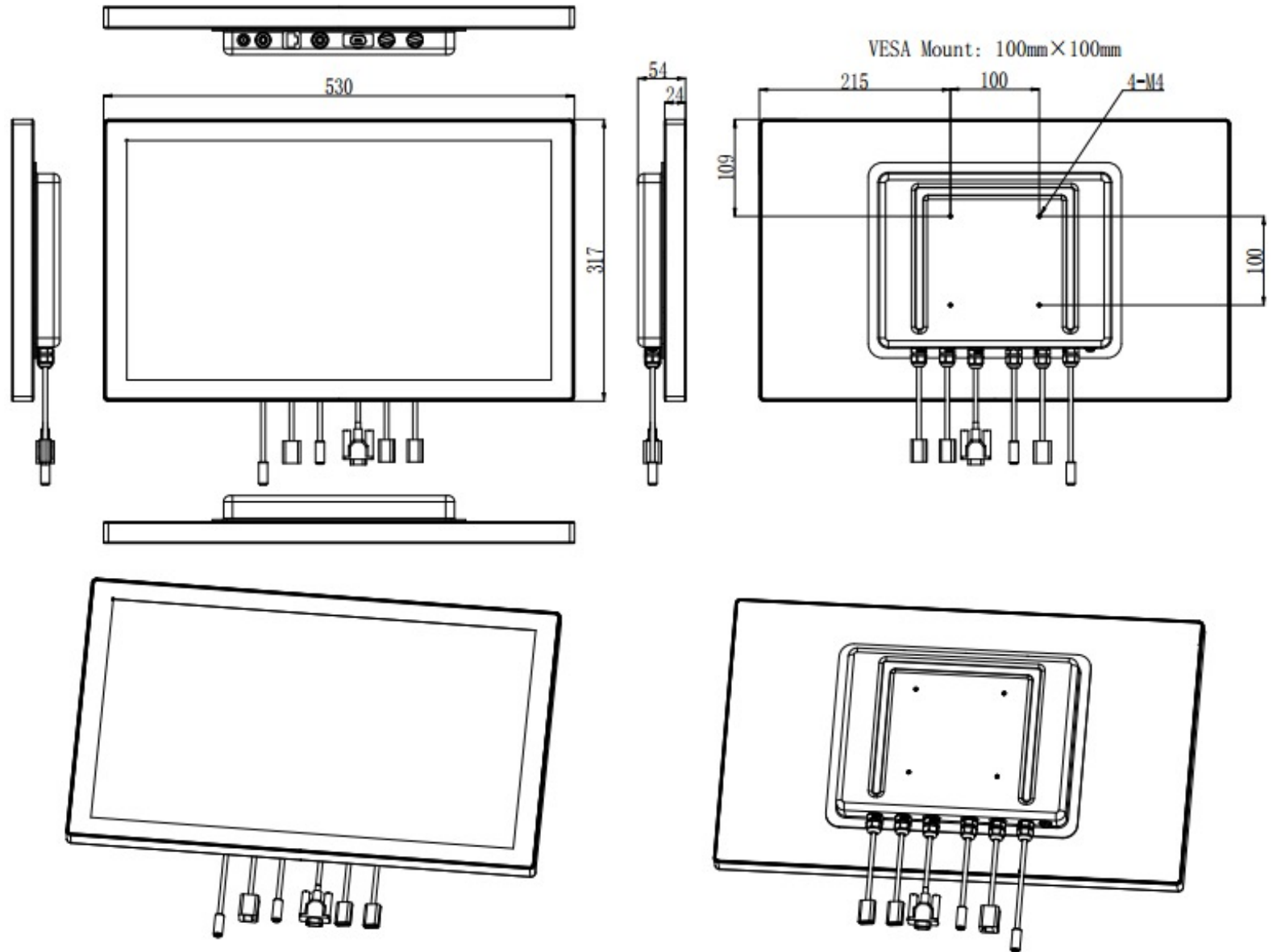


KDS-215G

Screen Size: 21.5"
Resolution: 1920 x 1080
Ratio: 16:9

Mini-ITX Motherboard

- J6412
- 11th i3
- 11th i5
- 11th i7

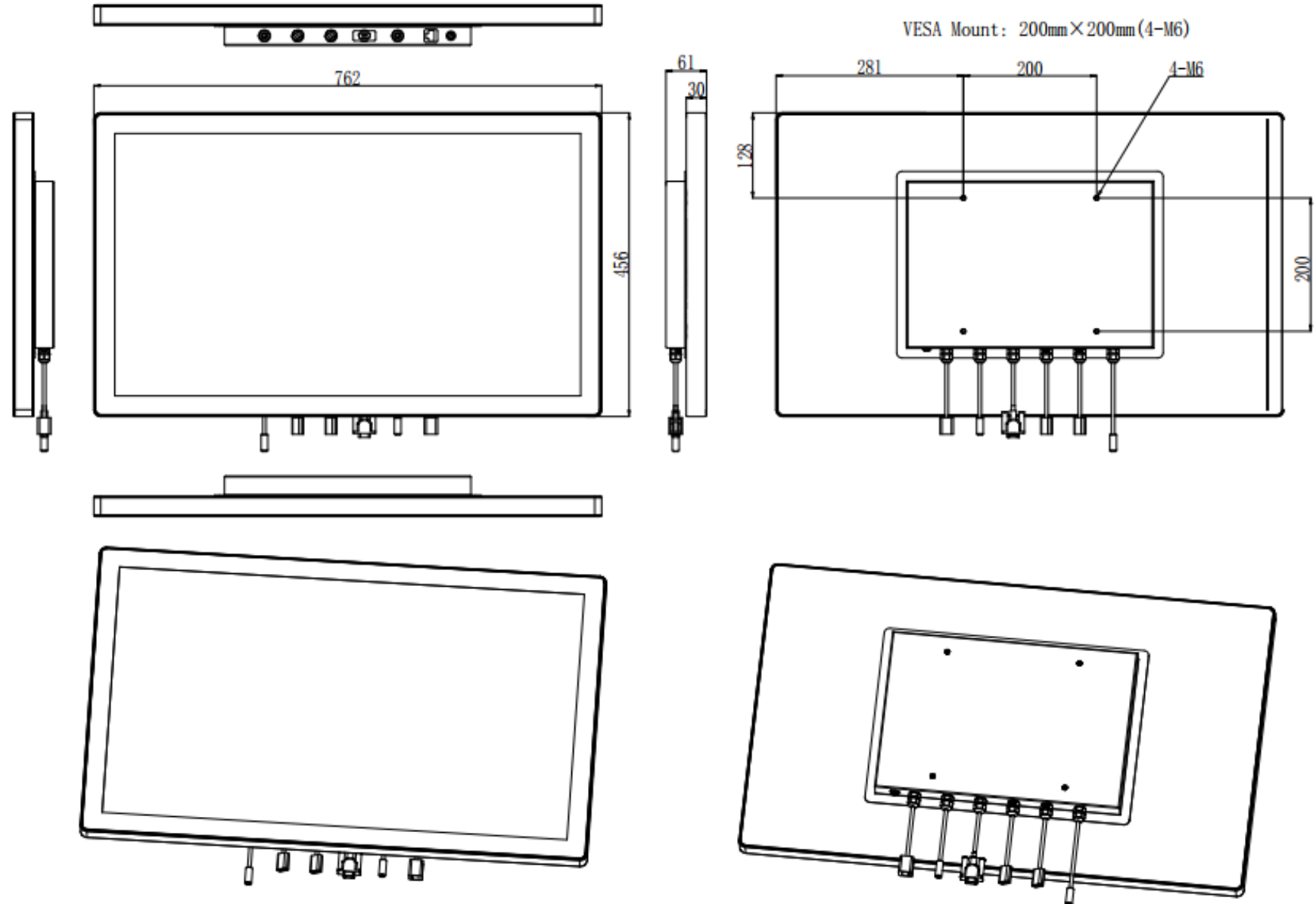


KDS-320E

Screen Size: 32"
Resolution: 1920 x 1080
Ratio: 16:9

Mini-ITX Motherboard

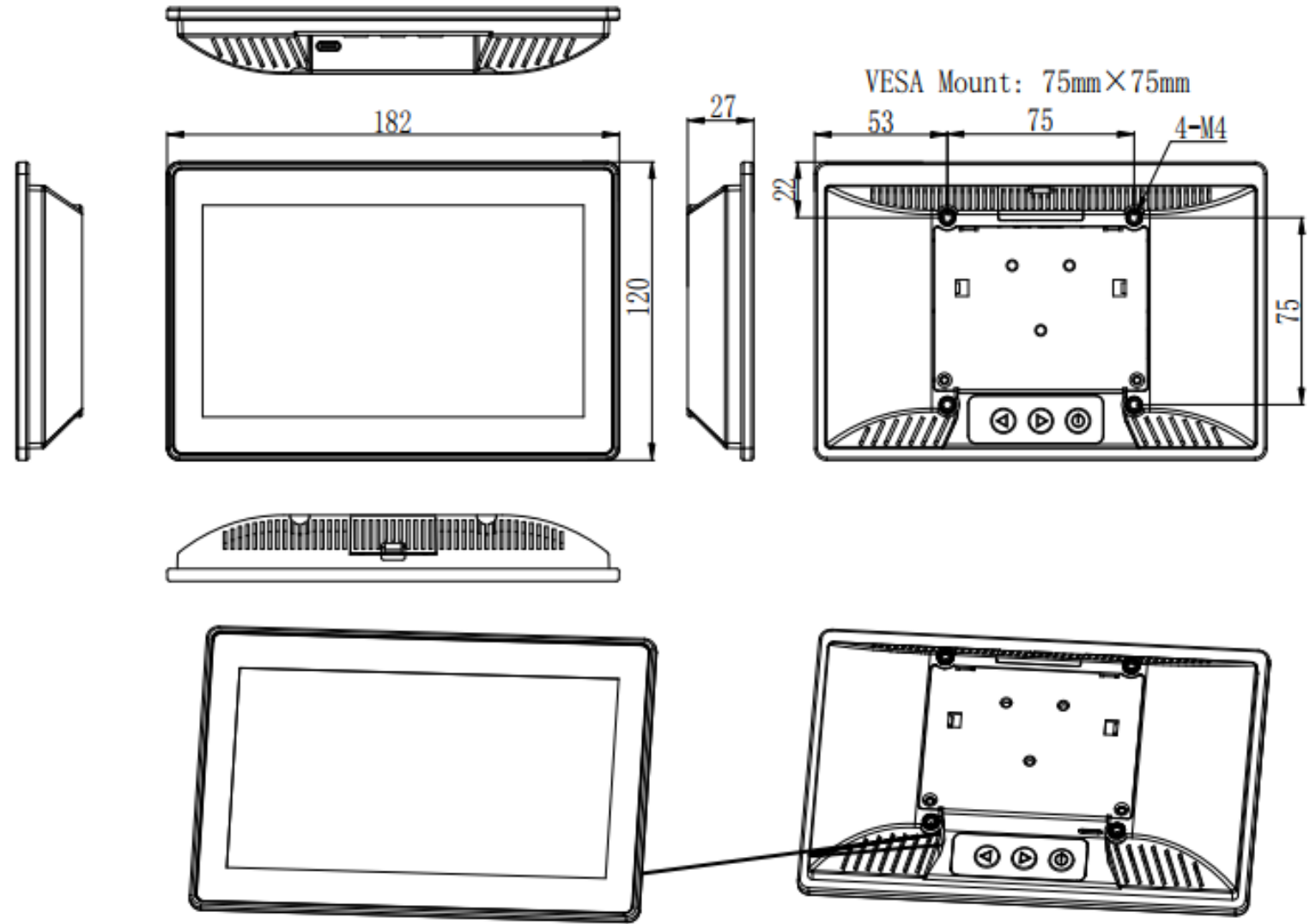
- J6412
- 11th i3
- 11th i5
- 11th i7



DP703A

Screen Size: 7"
Resolution: 800 x 480
Ratio: 10:6

Input Signal:
• USB-C

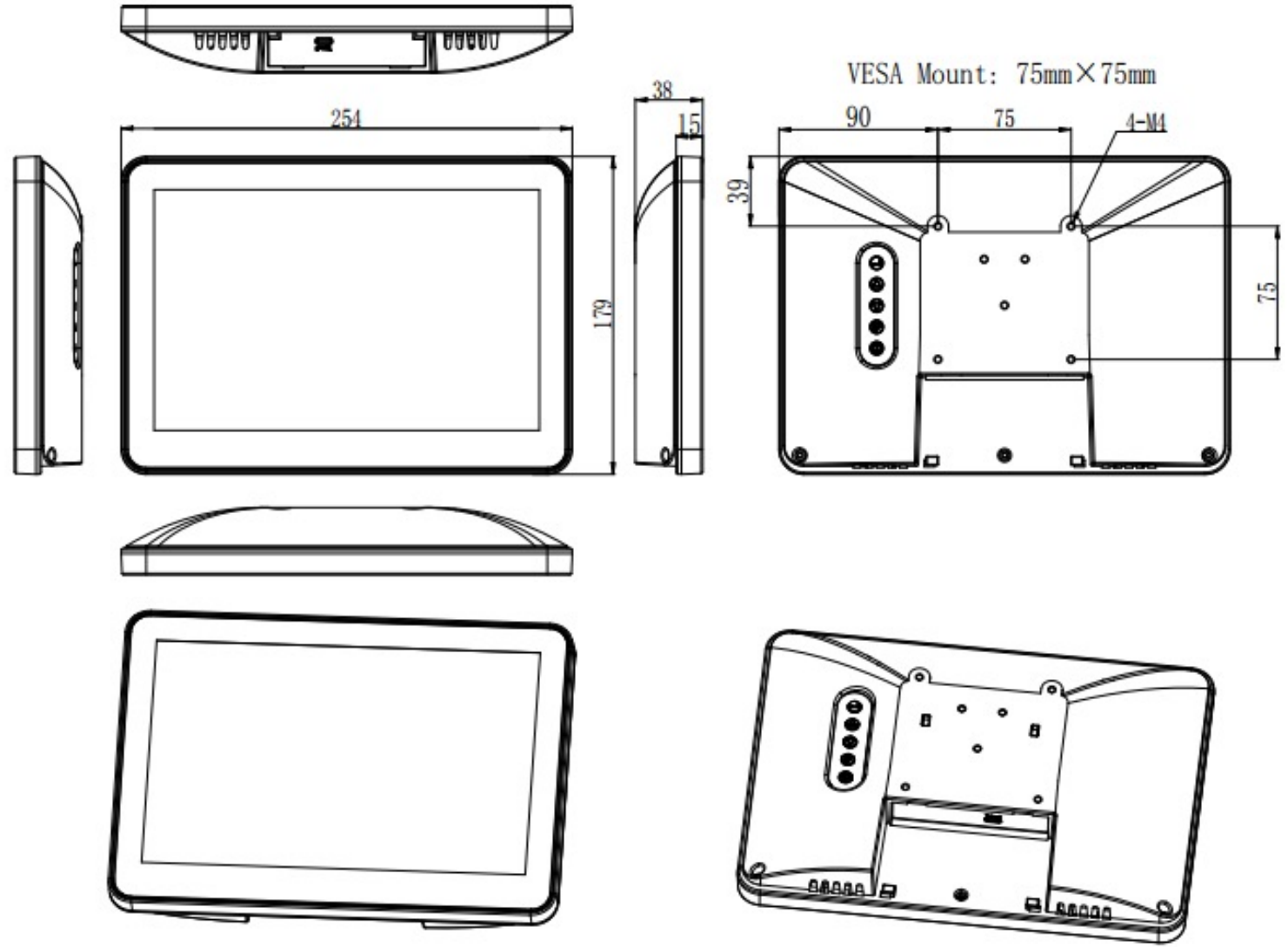


DP101A

Screen Size: 10.1"
Resolution: 1280 x 800
Ratio: 16:10

Input Signal:

- USB-C
- HDMI
- VGA

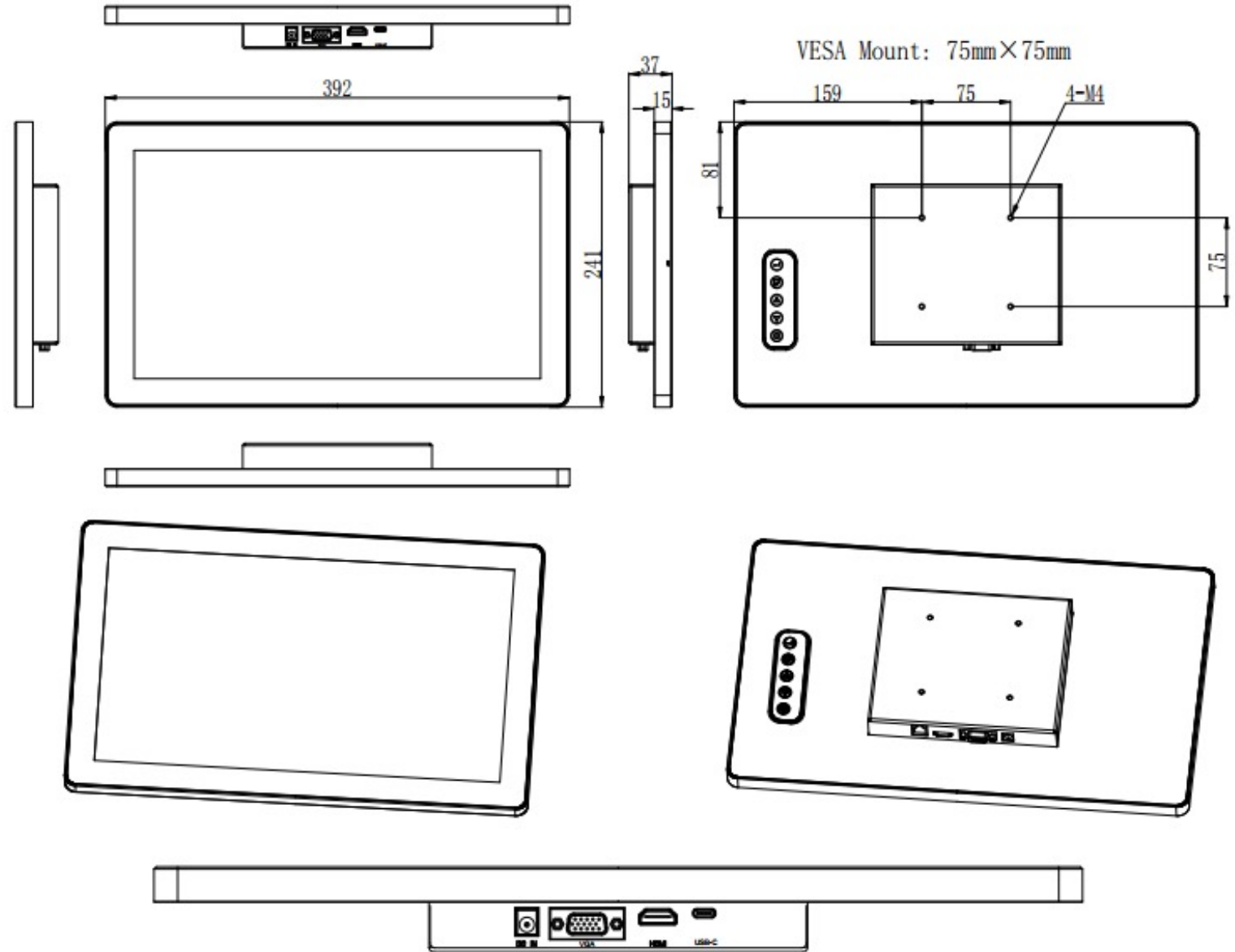


KDP-156A

Screen Size: 15.6"
Resolution: 1366 x 768
Ratio: 16:9

Input Signal:

- USB-C
- HDMI
- VGA

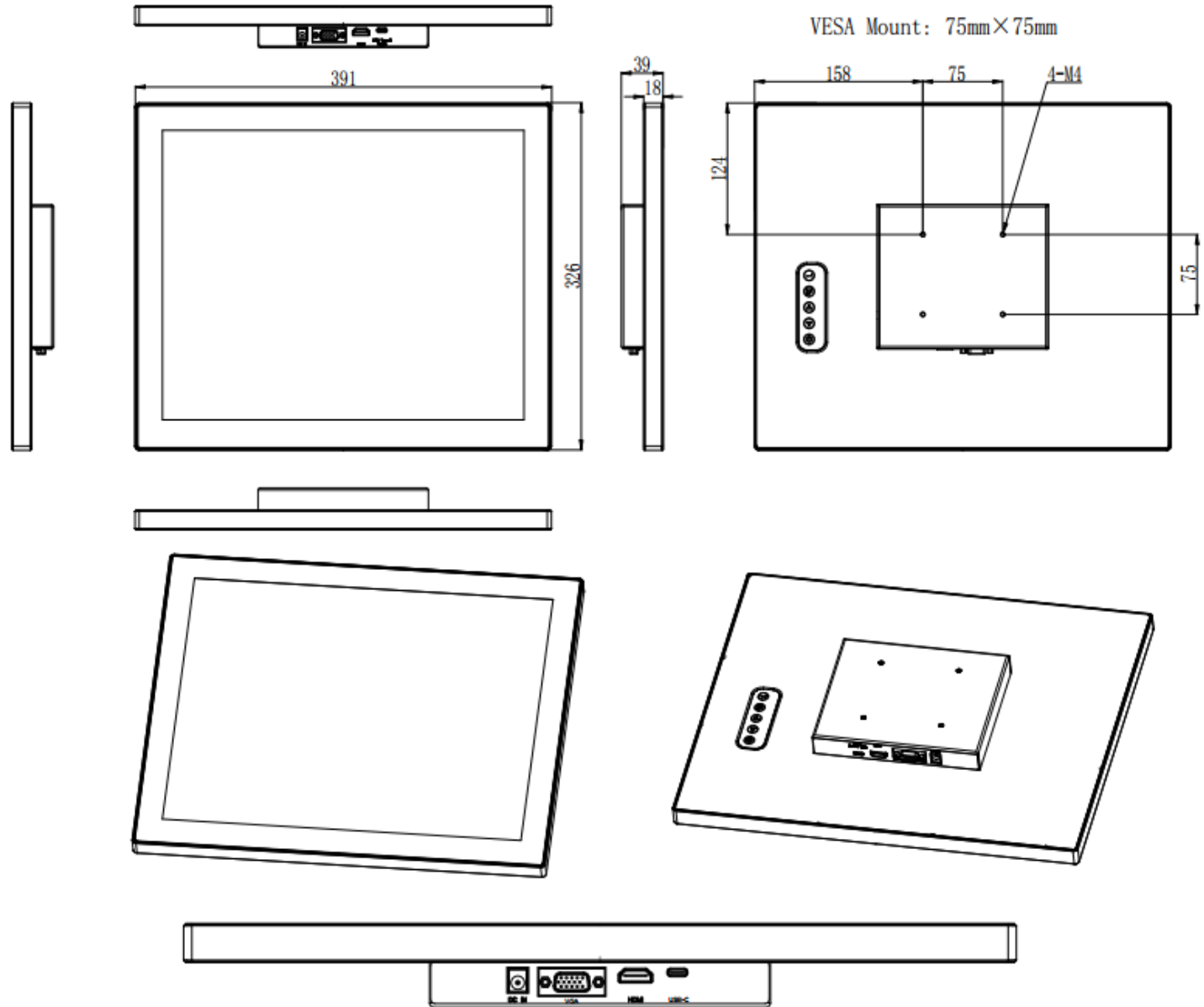


KDP-171F

Screen Size: 17"
Resolution: 1280 x 1024
Ratio: 10:8

Input Signal:

- USB-C
- HDMI
- VGA



KDP-185F

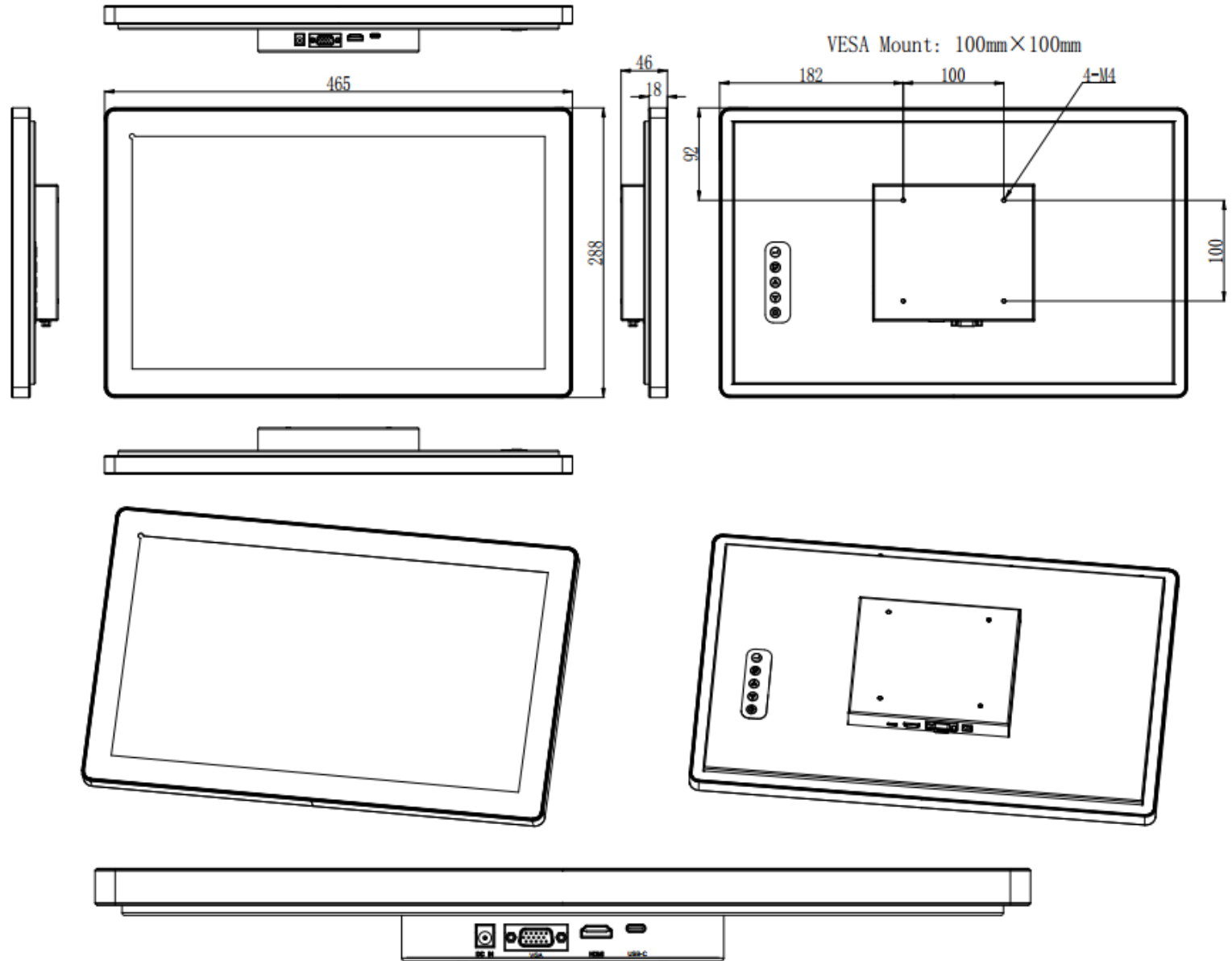
Screen Size: 18.5"

Resolution: 1920 x 1080

Ratio: 16:9

Input Signal:

- USB-C
- HDMI
- VGA

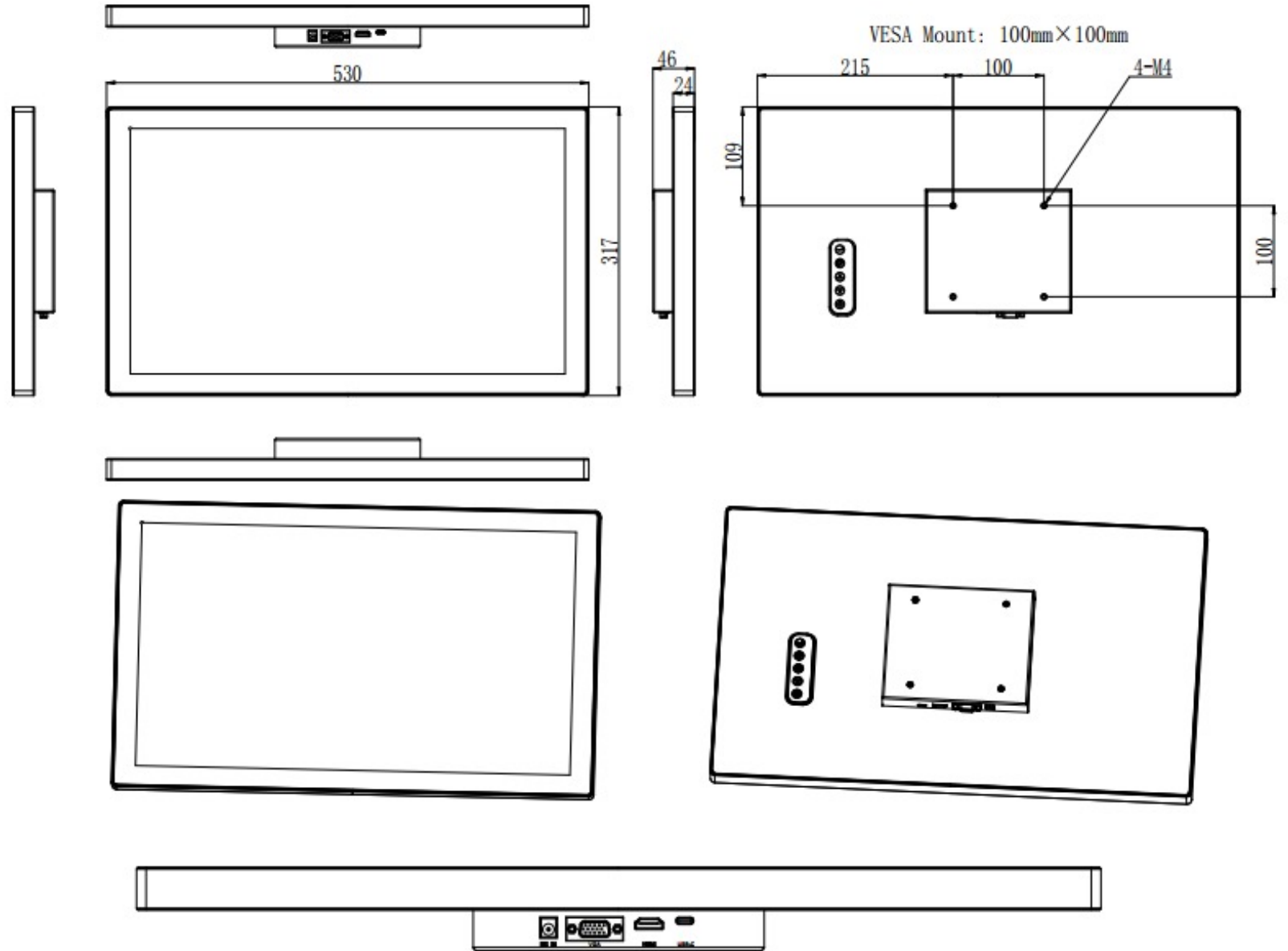


KDP-215G

Screen Size: 21.5"
Resolution: 1920 x 1080
Ratio: 16:9

Input Signal:

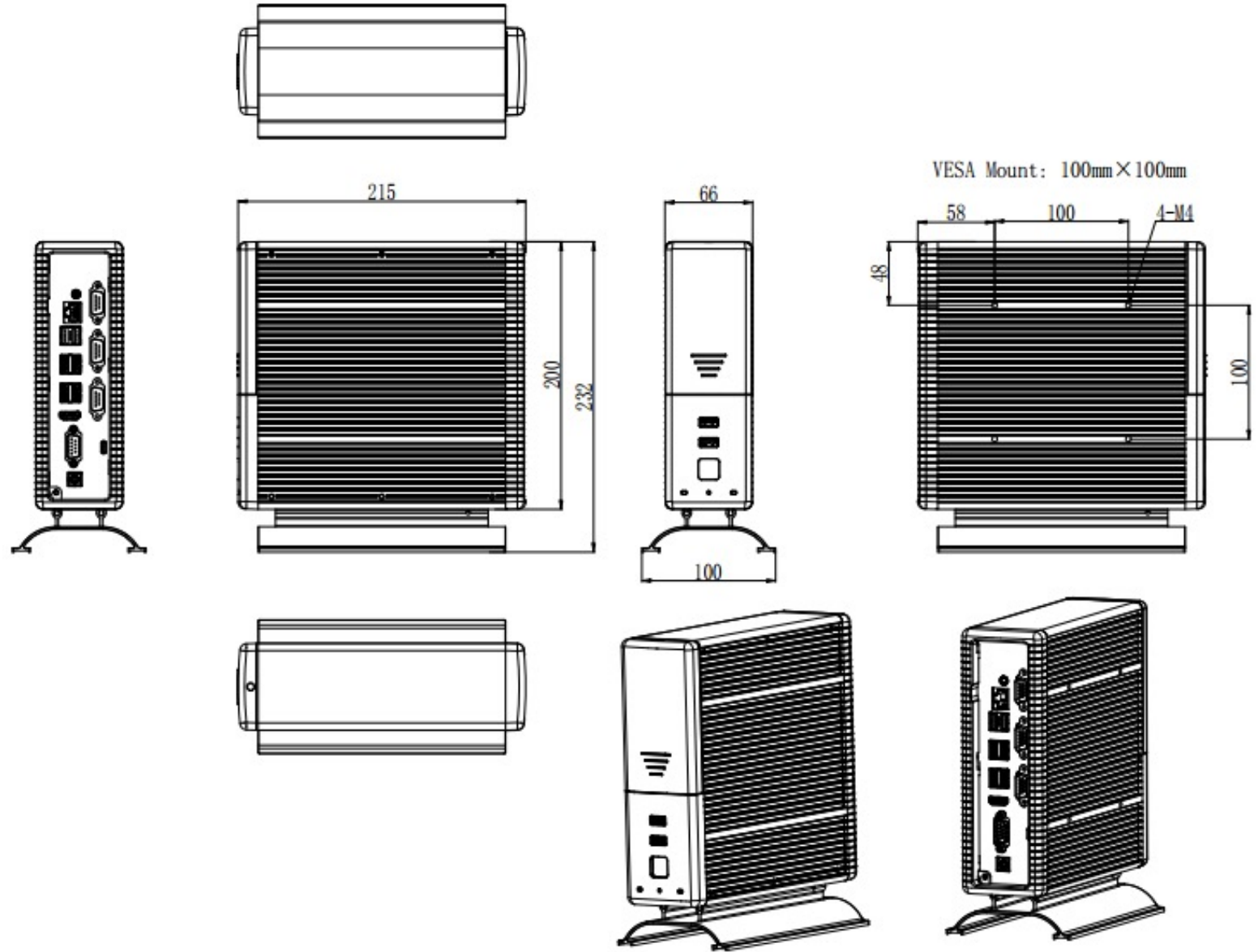
- USB-C
- HDMI
- VGA



IPB-801A

Mini-ITX Motherboard

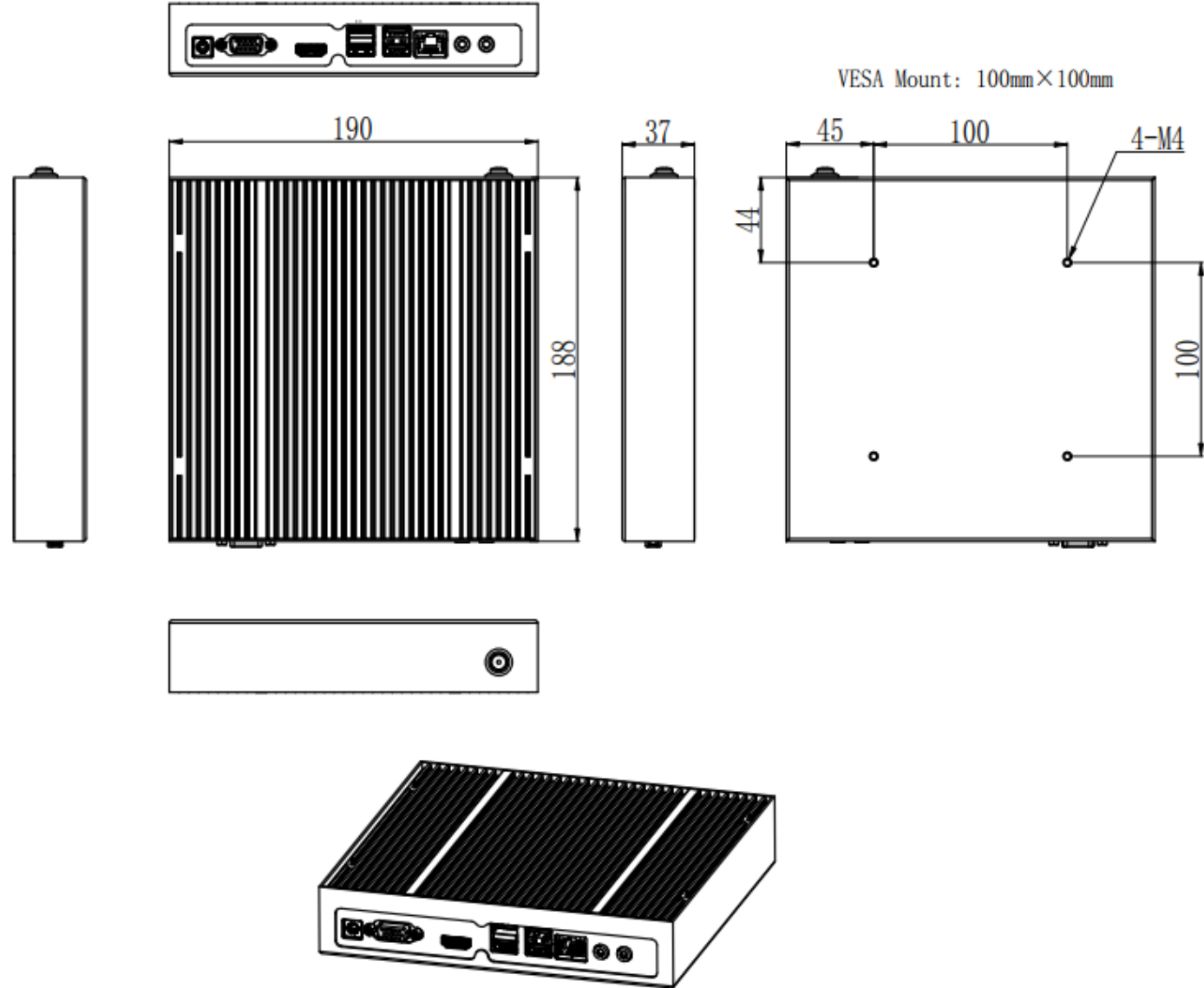
- J6412
- 11th i3
- 11th i5
- 11th i7



IPB-811A

Mini-ITX Motherboard

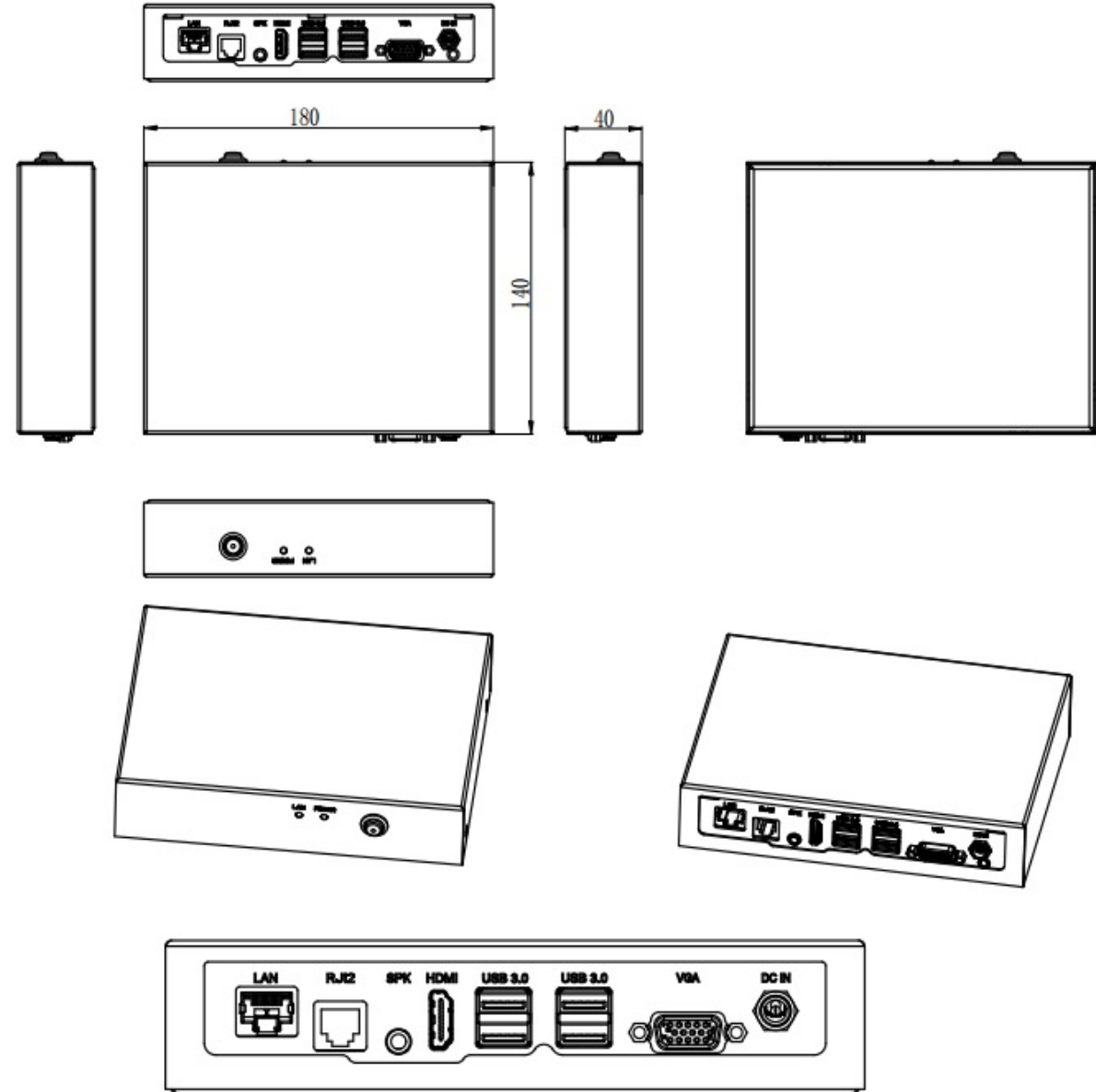
- J6412
- 11th i3
- 11th i5
- 11th i7



IPB-812A

Type 3.5" Motherboard

- J3455 (SV3)

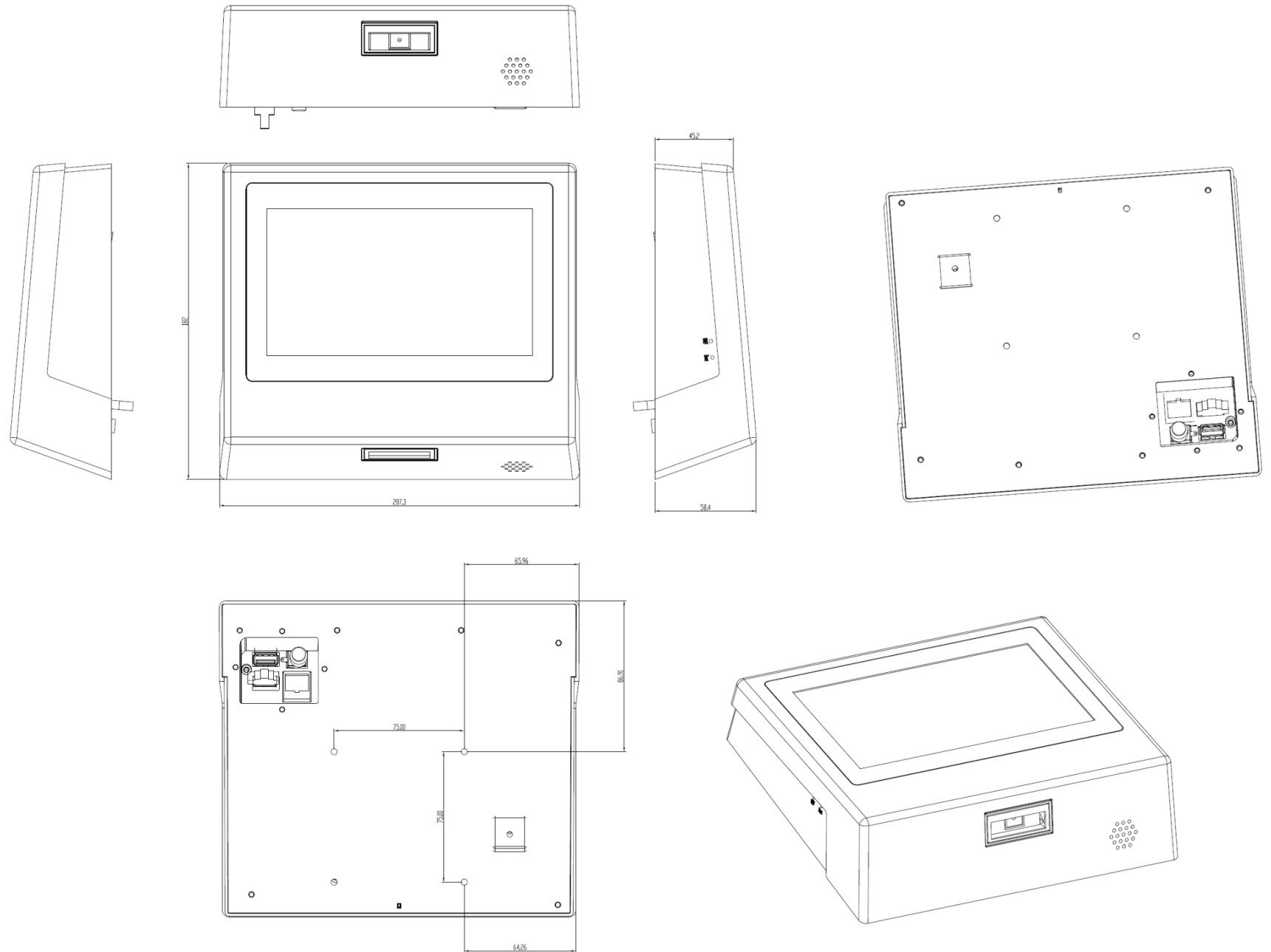


PC701

Screen Size: 7"
Resolution: 800 x 480
Ratio: 10:6

Type 3.5" Motherboard

- J6412
- RK3288



PC101

Screen Size: 10.1"
Resolution: 1280 x 800
Ratio: 16:10

Type 3.5" Motherboard

- J6412
- RK3288

