

CK82B



Medical Hygiene Keyboard

FENGYU



CK82B

Main Features

82/83 low profile scissor keys, with built-in touchpad

EasyClean key combination temporarily disables all keys for efficient disinfection

Crevice-free silicone surface can be sprayed and wiped

Quickly cleaned and disinfected with hospital-approved germicidal wipes

Powered by patented cleaning scheduling and detection software

With VESA-mounting holes (75x75mm) for mounting to different equipment

Two available interfaces: USB and RF (2.4G)

Wireless version powered by 4 x AAA batteries

Technical Data

[Electronics]

[USB]

Input Voltage Range: 5V

Max current consumption: less than 100mA

[Wireless, RF 2.4G]

Power Supply: "AAA" x 4

Input Voltage Range: 6V

Current Consumption:

~10mA @ Key pressing (operation)

~20mA @ Finger navigating on touchpad (operation)

~0.3mA @ idle mode

[Touchpad]

Touchpad Tracking Speed: Up to 1,016 mm/sec

Touchpad X/Y Position Sensing Resolution: Up to 40 counts/mm

[Mechanical]

Number of Keys: 82 (US-ANSI); 83 (EU-ISO)

Key strokes life: 10 million

Key Travel Distance: 2mm

IP68 compliant

Battery Replaceable:

- 1) Twist and pull the battery cover on side
- 2) Replace the battery
- 3) Twist and lock battery cover on side again

[Others]

Storage temperature: -40°C to +55°C

Operating temperature: 0°C to +45°C

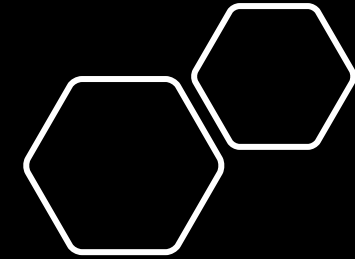
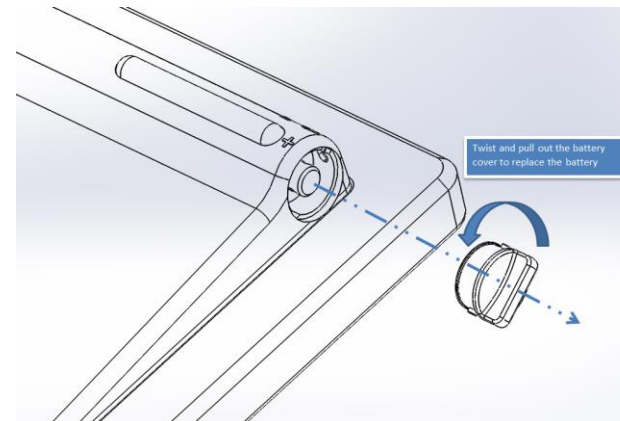
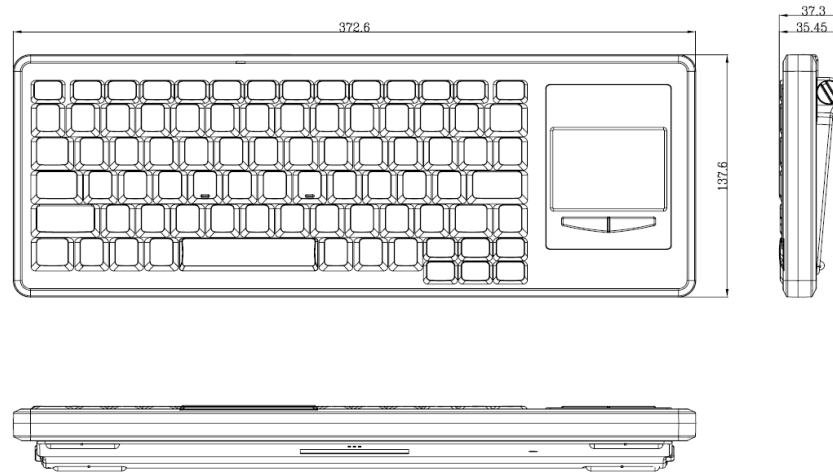
Operating humidity: 40% to 90%

Dimensions:

USB: 373 x 138 x 21 mm

RF: 373 x 138 x 37 mm

Approval and Compliance: FCC / CE / RoHS / REACH



HENGYU

Heng Yu Technology (HK) Limited
<http://www.hengyu-tech.com>