

CD220A Customer Display



FENGYU

CD220A

Customer Display



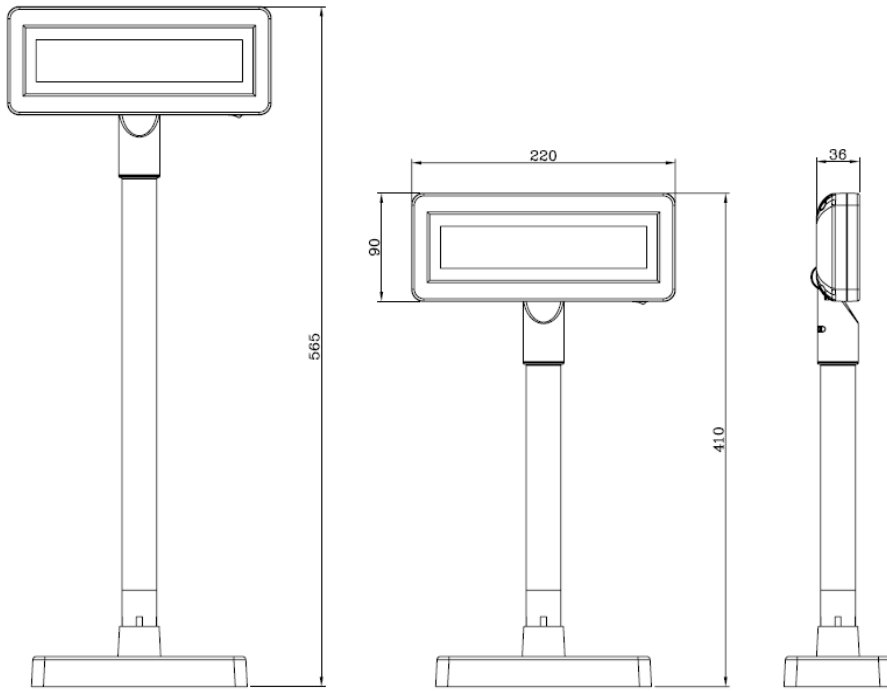
FENGYU

The VFD220A is a 2-line Vacuum Fluorescent Display (VFD) traditional Customer Display which is aimed to provide a wide viewing angle, long life, high reliability and high display quality for the POS application. It has dual interface: RS232 and USB VCOM, which can run on the legacy and new system without any changes. It supports on the field firmware upgrade and a variety of country font sets.

Main Features

- Use a high contrast and brightness LCD display
- 2 lines (20x2) characters, each character is of 5 x 7 matrix.
- Support major command sets (ESC/POS, CD5220, DSP8000, BA63...)
- Support dual interface: RS232 and USB VCOM. Auto detected by the corresponding cable.
- Come with extendable long pole and strong base (having a metal weigh)
- Support major international character sets
- Support firmware upgrade
- Baud rates from 300 up to 9600bps

Technical Specification



[Display Module]	
Display Type	Vacuum Fluorescent Display
LCD Mode	STN Negative, Blue
Display Pattern	5x7 dot matrix
Viewing Angle	L:75 / R:75 / U:75 / D:75
Character Size	5.45mm (W) x 9.15mm (H)
Character Number	20 x 2
[Driver Interface]	
Driver Interface	RS-232 and USB VCOM
Driver Command	ESC, DSP-800, CD5220/II, BA63 display command
[Electronics]	
Power Source	+12VDC
Power consumption	6W
Central Control Unit	CPU: NUC122 ROM : 32KB SRAM: 4KB
Speed	CPU : 60MHz
Connector	RJ45
Cable	RJ45 to DB9 female with power jack
[Others]	
Storage Temperature	-20°C ~ 70°C
Operating Temperature	0°C ~ 60°C
Operating Humidity	10% ~ 80%
Approval	FCC/CE
Dimension (panel)	220 x 36 x 90, mm
Dimension (with adjustable pole)	220 x 72 x 410, mm